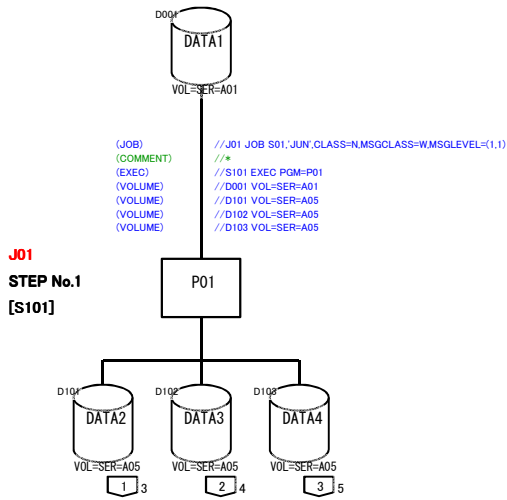
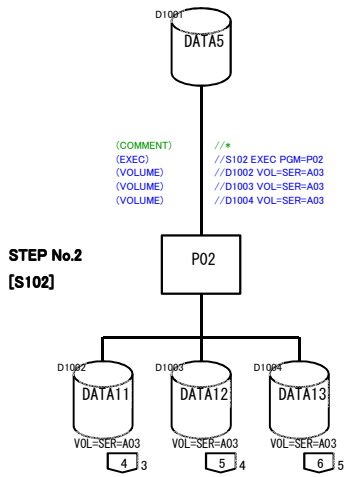


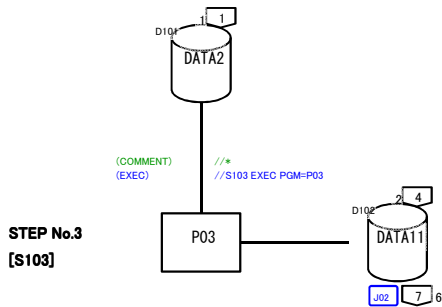
メンバ名:TEST03 日本語名称:



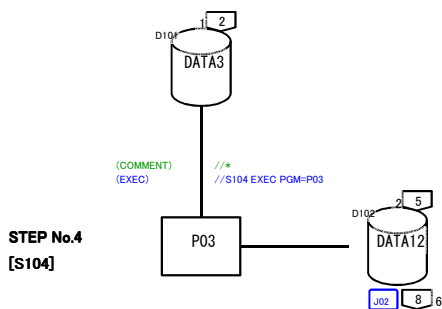
```
//J01 JOB S01, 'JUN', CLASS=N, MSGCLASS=W, MSGLEVEL=(1,1)
//*
//S101 EXEC PGM=P01
//D001 DD DSN=DATA1, DISP=(SHR, DELETE),
//      VOL=SER=A01
//D101 DD DSN=DATA2, DISP=(NEW, CATLG),
//      VOL=SER=A05
//D102 DD DSN=DATA3, DISP=(NEW, CATLG),
//      VOL=SER=A05
//D103 DD DSN=DATA4, DISP=(NEW, CATLG),
//      VOL=SER=A05
//
```



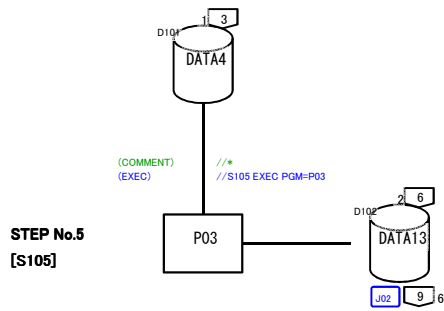
```
//*
//S102 EXEC PGM=P02
//D1001 DD DSN=DATA5, DISP=SHR
//D1002 DD DSN=DATA11, DISP=(NEW, CATLG),
//      VOL=SER=A03
//D1003 DD DSN=DATA12, DISP=(NEW, CATLG),
//      VOL=SER=A03
//D1004 DD DSN=DATA13, DISP=(NEW, CATLG),
//      VOL=SER=A03
//
```



```
//*
//S103 EXEC PGM=P03
//D101 DD DSN=DATA2, DISP=(SHR, UNCATLG)
//D102 DD DSN=DATA11, DISP=(MOD, KEEP)
//
```



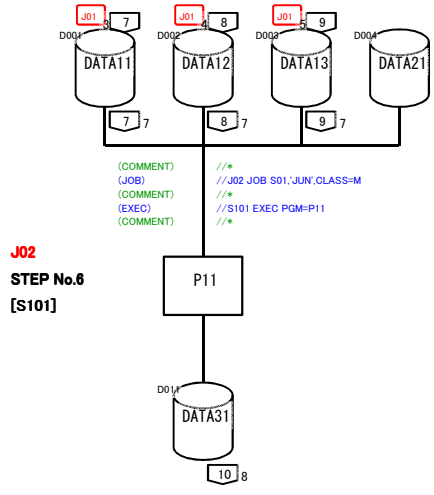
```
//*
//S104 EXEC PGM=P03
//D101 DD DSN=DATA3, DISP=(SHR, UNCATLG)
//D102 DD DSN=DATA12, DISP=(MOD, KEEP)
//
```



```

/*
//S105 EXEC PGM=P03
//D101 DD DSN=DATA4,DISP=(SHR,UNCATLG)
//D102 DD DSN=DATA13,DISP=(MOD,KEEP)
/*

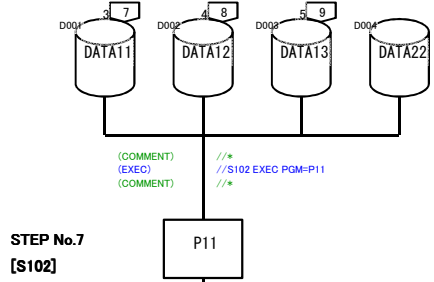
```



```

//J02 JOB S01,'JUN',CLASS=M
/*
//S101 EXEC PGM=P11
//D001 DD DSN=DATA11,DISP=SHR
//D002 DD DSN=DATA12,DISP=SHR
//D003 DD DSN=DATA13,DISP=SHR
//D004 DD DSN=DATA21,DISP=SHR
/*
//D011 DD DSN=DATA31,DISP=(NEW,PASS),
//      VAL=SER=B05
/*

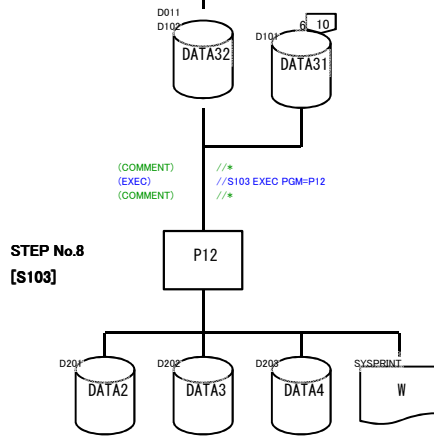
```



```

/*
//S102 EXEC PGM=P11
//D001 DD DSN=DATA11,DISP=SHR
//D002 DD DSN=DATA12,DISP=SHR
//D003 DD DSN=DATA13,DISP=SHR
//D004 DD DSN=DATA22,DISP=SHR
/*
//D011 DD DSN=DATA32,DISP=(NEW,PASS),
//      VAL=SER=B05
/*

```



```

/*
//S103 EXEC PGM=P12
//D101 DD DSN=DATA31,DISP=(SHR,DELETE),
//      VAL=SER=B05
//D102 DD DSN=DATA32,DISP=(SHR,DELETE),
//      VAL=SER=B05
/*
//D201 DD DSN=DATA2,DISP=(NEW,KEEP)
//D202 DD DSN=DATA3,DISP=(NEW,KEEP)
//D203 DD DSN=DATA4,DISP=(NEW,KEEP)
//SYSPRINT DD SYSOUT=W
/*

```